

Datasheet



goldilock

2100 Series Datasheet





Specification

Physical Interface

Connectors	4 x RJ45 Ethernet Port Pairs
Performance	Determined by the speeds of the devices connected to the port pairs
Technology	OSI Layer 1

Management

Interface	Out-of-Band Ethernet Port, RJ45, 1GbE
Console/UI	Built-in browser-based administration console
Protocols	HTTP/HTTPS
UI Security	Password Protected, Multi-factor Authentication, Logging, Brute Force Detection
Other Features	Live status dashboard, manual port control, scheduled port control events, SMS user management, management network settings, logging, settings backup/import, offline update system



Remote Triggers

Interface	SMS via 4G LTE, GPRS, or GSM cellular signal
Antenna	2 x SMA (Female) connectors
SIM	1 x Nano SIM slot (12.3mm x 8.8mm)
Authentication	Structured command, Number filtering, Multi-factor Authentication, Spam/SMS Bomb protection, Granular Port onrol

Mechanical

Form Factor	Small Form Desktop
Dimensions	W145mm x D195mm x H45mm
Weight	1.2KG
Mounting	Desktop. DIN-Rail (optional)
Enclosure	Cold rolled steel, powder coated (Sandtex Graphite)
Cooling	Passive, fanless

Power

Input	12V DC
Power Consumption	14W peak, 10W average
Connector	Barrel Jack, 2.00mm ID, 5.5mm OD



Environmental

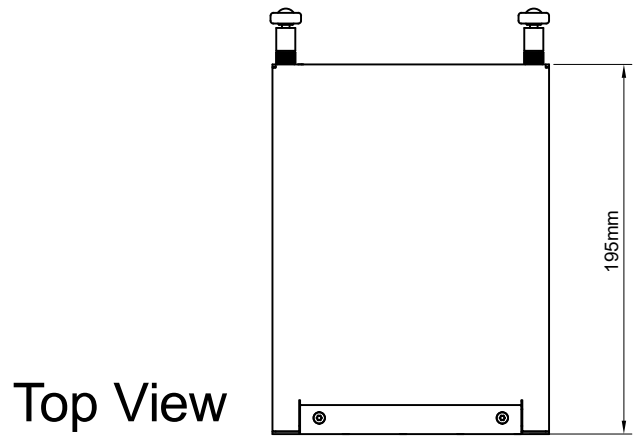
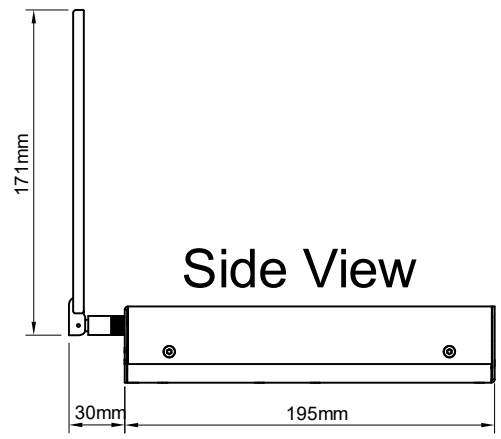
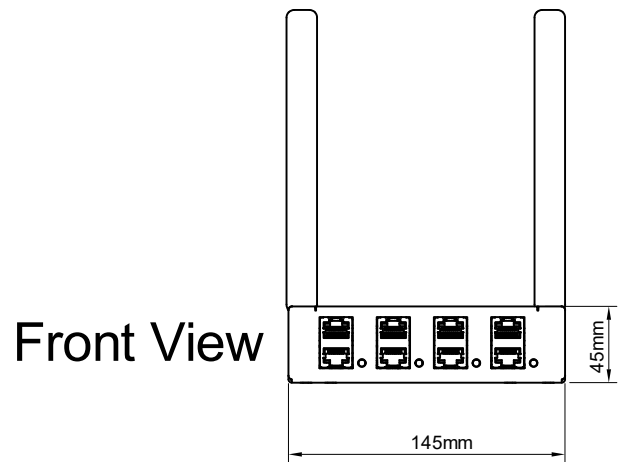
Operating Temperature	-20C to +50C (-4F to +122F)
Storage Temperature	-40C to +80C (-40F to +176F)
Operating Humidity	0 to 95% (non-condensing)
Storage humidity	0 to 95% (non-condensing)
Shock	IEC 60068-2-27
Freefall	IEC 60068-2-32
Vibration	IEC 60068-2-6

Safety

EMI	CE, UKCA, FCC Part B Class A
EMS	EN 61000-4-2/3/4/5/6/8, CISPR 32, FCC Part B Class A
Operating Humidity	0 to 95% (non-condensing)



Mechanical Drawing



Package Contents

- 1 x Goldilock GL-2100 series device
- 2 x SMA 4G Antennas
- 1 x AC/DC 12V Power Adapter
- 1 x IEC C13 Power Cable

Ordering Information

SKU	Description
GL-2111	Small Form, 4 Port Pairs, DC Power, Remote SMS Trigger